



**C.R. LAURENCE CO., INC.**  
**PROFESSIONAL QUALITY**

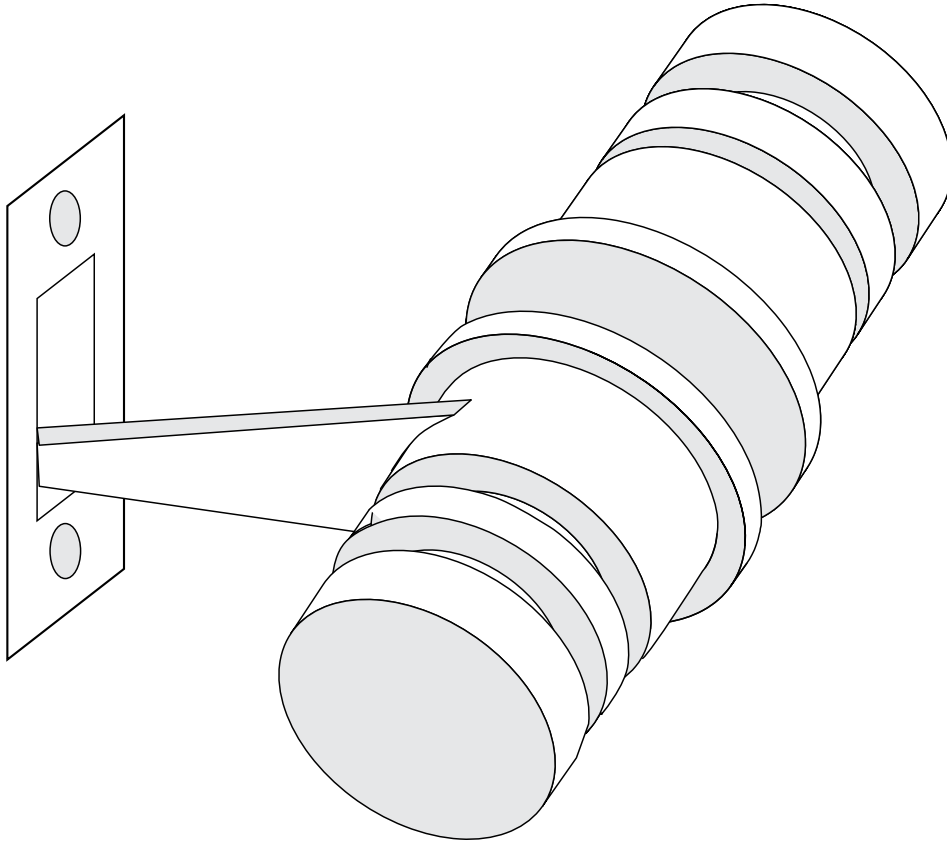
## Specifications:

**Material:** Solid brass

**Hole Size Required:** 7/8" (22mm)

**Glass Thickness Range:** 3/8" (10mm) to 1/2" (12mm)

**Includes:** Knob, Tapered Strike for wall-to-glass installation and J-Hook for glass-to-glass installation.

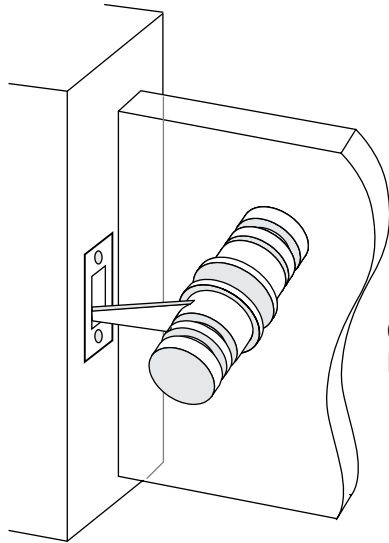
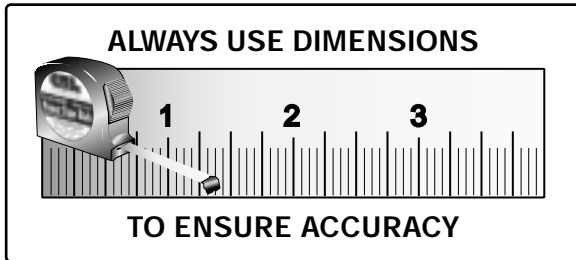


# KNOB LATCH

## Glass-To-Wall Installation

(For Glass-To-Glass Installations, See Pages 4W-12 through 4W-14)

**CAT No. LAT001**

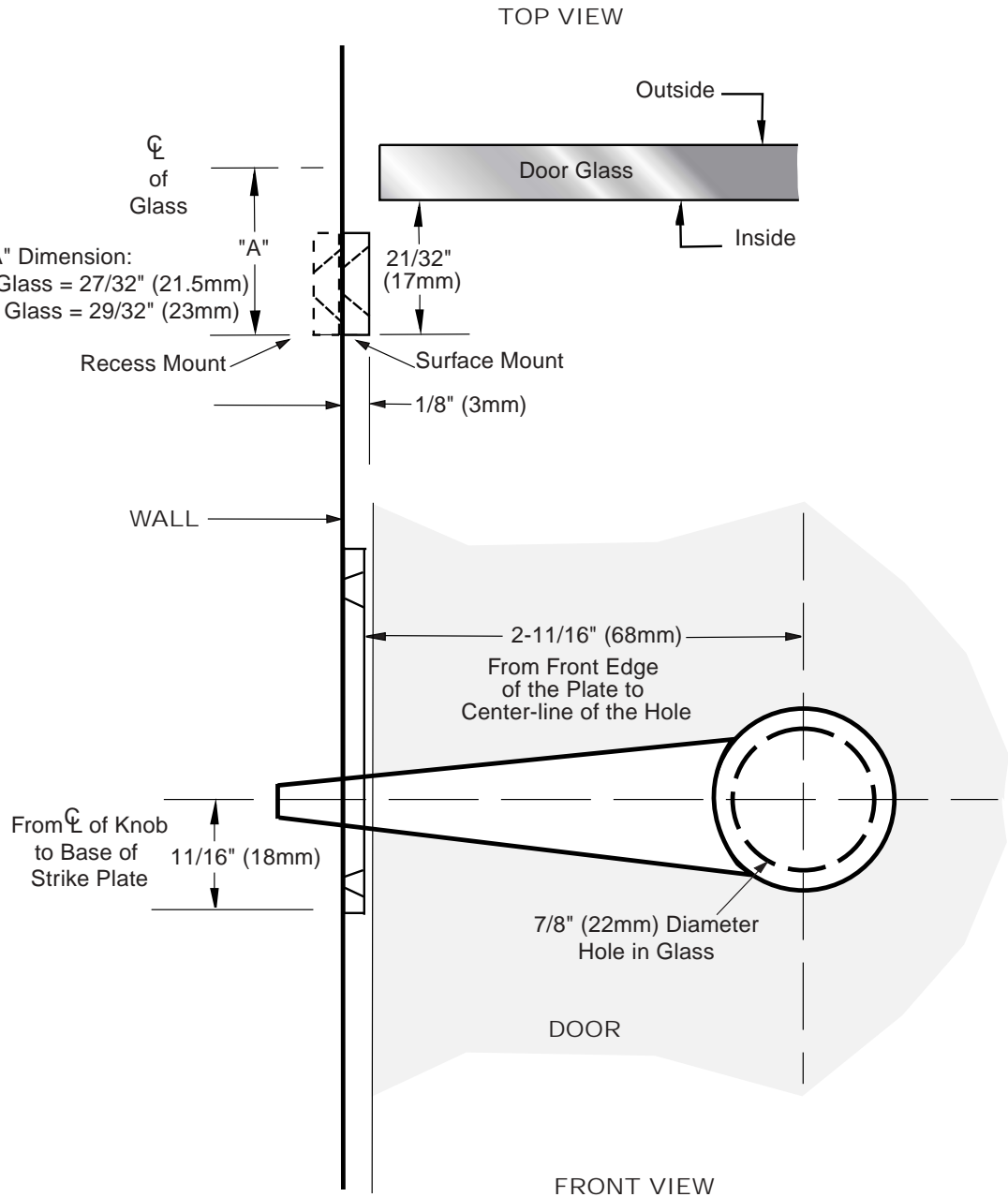


**Glass-to-Wall  
 Inside View**

# **KNOB LATCH**

## Glass-To-Wall Installation

### CAT No. LAT001





## Latch Fabrication Instructions

(For Glass-to-Wall Installations Where the Strike is Surface Mounted to the Wall)

### STEP No. 1

**Fabricating and placement of Knob Latch:** Deduct 1/8" (3mm) from the desired gap between the edge of the glass and the wall (example: desired gap 3/16" (5mm)-1/8" (3mm) = 1/16" (2mm) balance). Deduct this 1/16" (2mm) balance from the 2-11/16" (68mm) backset measurement to the center of the hole 2-11/16" (68mm) - 1/16" (2mm) = 2-5/8" (66mm). This will be the measurement from the edge of the glass to the center-line of the hole. Drill a 7/8" (22mm) hole in the glass at the desired height and the door fabrication is complete. Loosen the Allen screw in the outside knob and turn the knob counter-clockwise until it detaches from the threaded shaft. Remove the metal grommet from the shaft and take it apart. Place a clear plastic gasket on each half and insert the grommets together. From the inside, insert the threaded shaft through the hole in the grommet. To achieve indexing, screw the exterior knob on the threaded shaft until it is tight enough to create tension on the ball bearing. Tighten the Allen screw in the exterior knob and the installation is complete.

### STEP No. 2

**Placement of the surface mounted strike plate on the wall:** The edge of the surface mounted strike plate closest to the inside of the shower enclosure should be 21/32" (17mm) back from the inside edge of the door glass, when the door is set in the desired closed position. For 3/8" (10mm) glass, this measurement would be back 27/32" (21.5mm) from the center-line of the glass. For 1/2" (12mm) glass, this measurement would be back 29/32" (23mm) the center-line of the glass. Position the strike plate with the inside edge of the plate matching one of the above dimensions, being sure that the narrow end of the tapered slot is facing down. Slide the strike plate up or down until the bottom of the plate is 11/16" (18mm) below the center-line of the knob after the door is installed. Mark the location of the slot and holes, and remove the strike plate. Using a masonry drill bit, drill the wall and insert anchors in the hole locations for attachment of the strike plate, using the provided screws. In the slotted area of the strike plate, use a masonry drill bit to drill a series of holes to form a slot approximately 3/8" (10mm) deep. Secure the strike plate with screws and the installation is finished.

## Latch Fabrication Instructions

(For Glass-to-Wall Installations Where the Strike is Recess Mounted Flush to the Wall)

### STEP No. 1

**Fabricating and placement of Knob Latch:** First, determine the desired gap between the edge of the glass and the wall that the door is to strike against. Now, deduct the desired width of the gap from the 2-11/16" (68mm) backset measurement to the center of the hole *example:* 2-11/16" (68mm) backset - 3/16" gap = 2-1/2" (63mm). This will be the measurement from the edge of the glass to the center-line of the hole. Drill a 7/8" (22mm) hole in the glass at the desired height and the door fabrication is complete. Loosen the Allen screw in the outside knob and turn the knob counter-clockwise until it detaches from the threaded shaft. Remove the metal grommet from the shaft and take it apart. Place a clear plastic gasket on each half and insert the grommet into the 7/8" (22mm) hole in the glass. Make sure that the half with the ball bearing in it is on the inside, and the ball bearing is in the 12:00 o'clock position. Screw the grommets together. From the inside, insert the threaded shaft through the hole in the grommet. To achieve indexing, screw the exterior knob on the threaded shaft until it is tight enough to create tension on the ball bearing. Tighten the Allen screw in the exterior knob and the installation is complete.

### STEP No. 2

**Placement of the flush mounted strike plate on the wall:** This step should be planned before the marble or tile is set in place, as it is very difficult to cut a square recess after installation. The tile or marble installer should complete all of their work with the exception of the area where the strike is going. This will allow you to do your center-line measurements and plot the location of the strike. Then the installer can square cut the marble or tile to accept the strike. Remember, the strike plate is to be mounted flush with the surface of the marble or tile so it can only be recessed the thickness of the plate. The edge of the flush mounted strike plate closest to the inside of the shower enclosure should be 21/32" (17mm) back from the inside edge of the door glass, when the door is set in the desired closed position. For 3/8" (10mm) glass this measurement would be back 27/32" (21.5mm) from the center-line of the glass. Position the strike plate with the inside edge of the plate matching one of the above dimensions, being sure that the narrow end of the tapered slot is facing down. Slide the strike plate up or down until the base of the plate is 11/16" (18mm) below the center-line of the knob after the door is installed. Mark the location of the slot, holes and outside perimeter of the strike so the proper size recess can be provided by the marble/tile installer. Using a masonry drill bit, drill the recess and insert anchors in the hole locations for attachment of the strike plate, using the provided screws. In the slotted area of the strike plate, use a masonry drill bit to drill a series of holes to form a slot approximately 3/8" (10mm) deep. Secure the strike plate with screws and the installation is finished.



**C.R. LAURENCE CO., INC.**  
**PROFESSIONAL QUALITY**

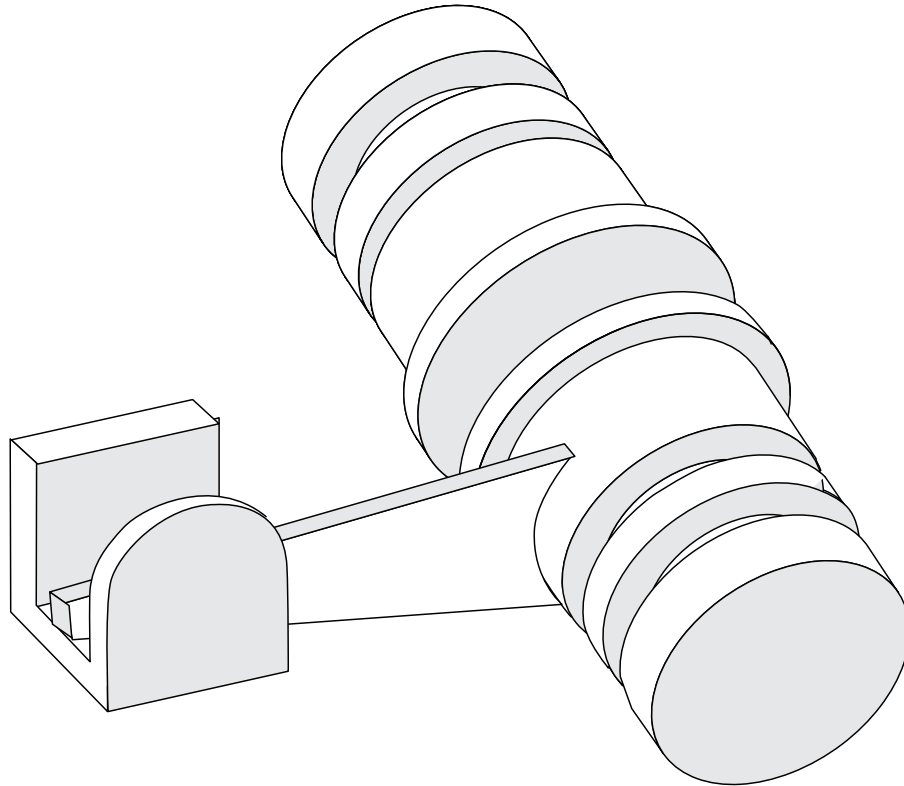
## Specifications:

**Material:** Solid brass

**Hole Size Required:** 7/8" (22mm)

**Glass Thickness Range:** 3/8" (10mm) to 1/2" (12mm)

**Includes:** Knob, Tapered Strike for wall-to-glass installation and J-Hook for glass-to-glass installation.



# KNOB LATCH

## Glass-To-Glass Installation

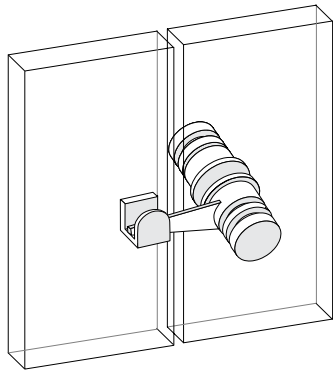
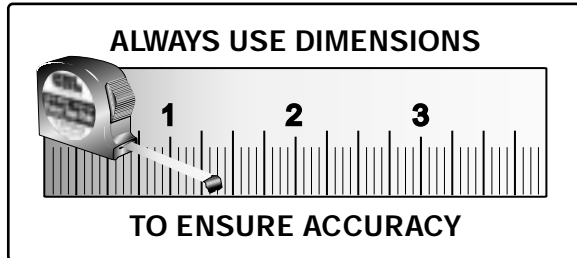
(For Glass-To-Wall Installations, See Pages 4W-9 through 4W-11)

**CAT No. LAT001**

C.R. Laurence Co., Inc. For technical assistance in the United States call toll free (800) 421-6144; from Canada call toll free (877) 421-6144;  
[www.crlaurence.com](http://www.crlaurence.com) Outside the U.S. and Canada call (323) 588-1281. Ask for Tech Sales at Extension 777. Toll free fax (800) 587-7501.

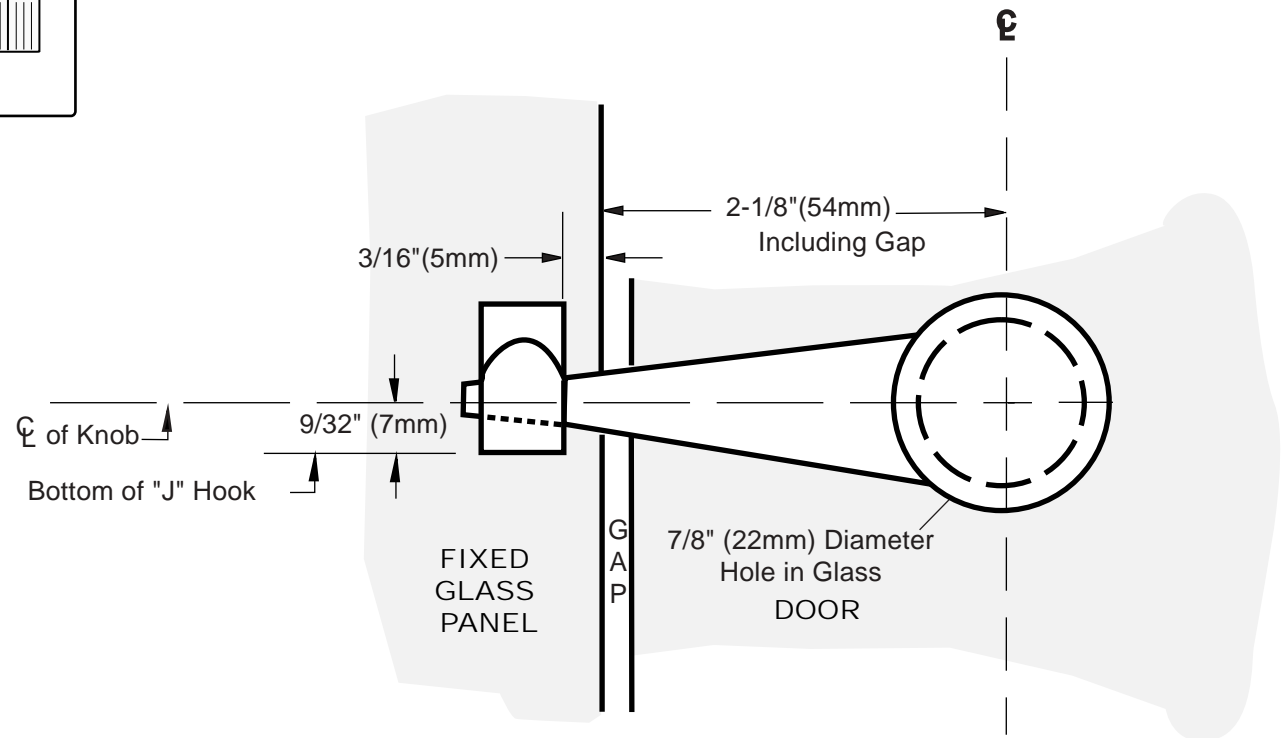


**C.R. LAURENCE CO., INC.**  
**PROFESSIONAL QUALITY**



**IMPORTANT:**

Project measurements from the edge of the fixed glass panel.



# KNOB LATCH

Glass-To-Glass Installation

CAT No. LAT001